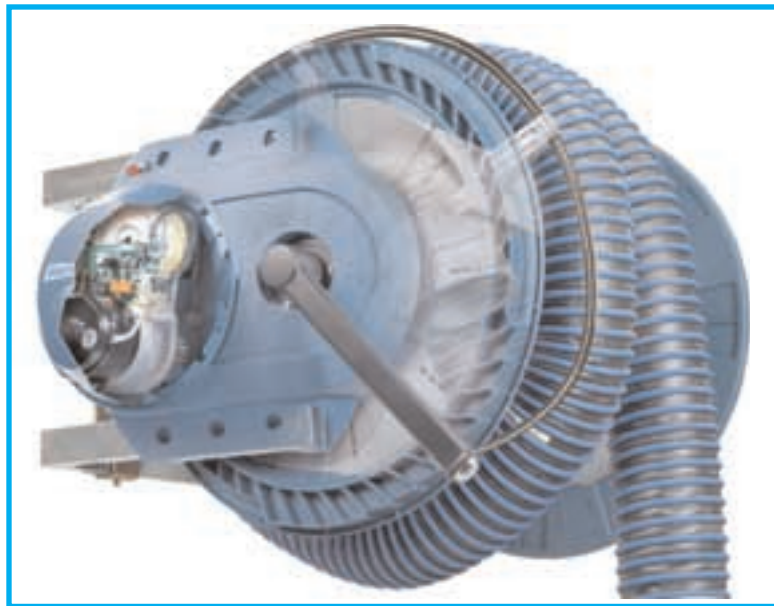
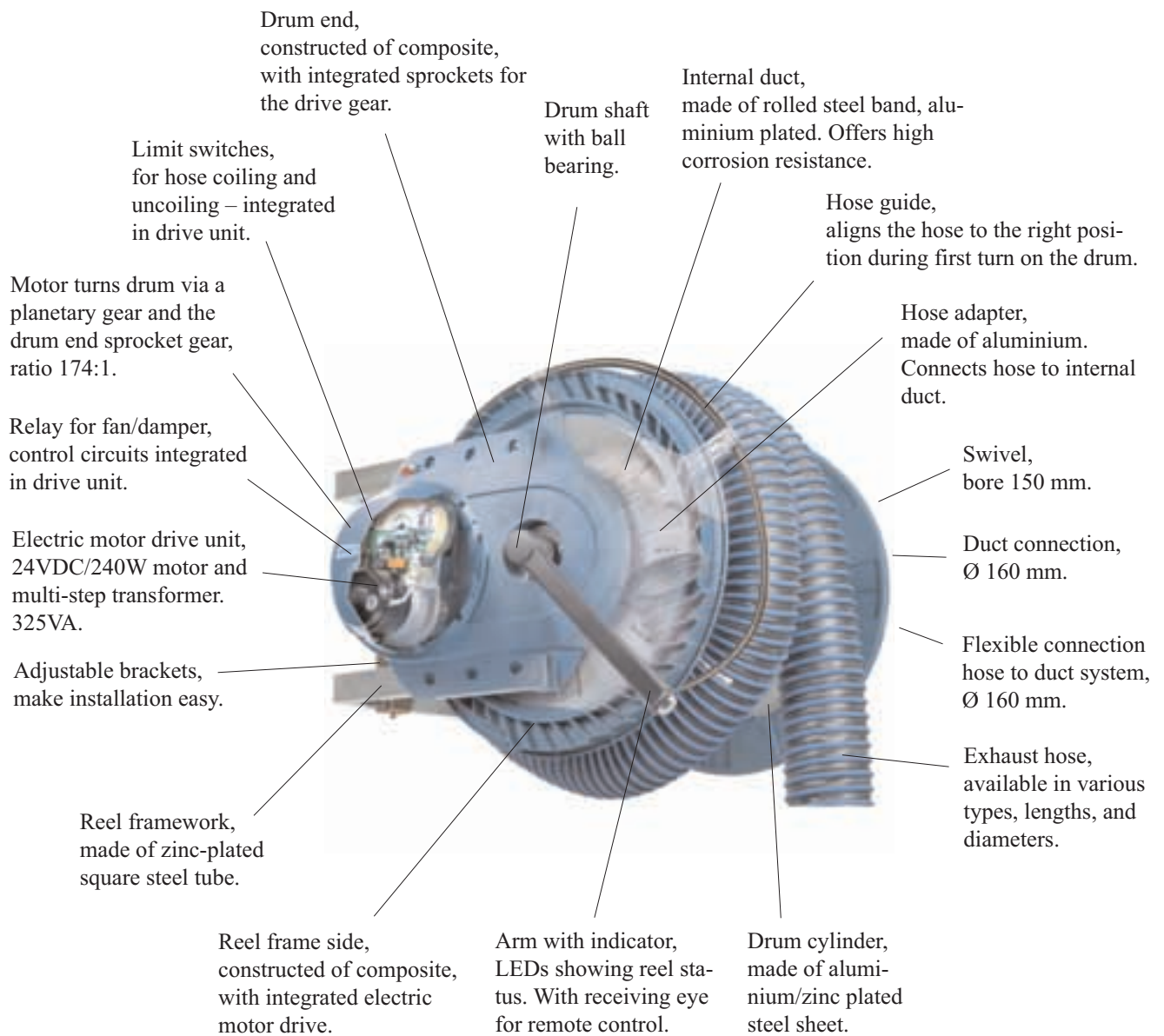


TECHNICAL DESCRIPTION

Exhaust Hose Reel ser. 865, electric motor driven



Description



Remote or pendant control of reel and fan/damper operation. Remote control via IR. Remote control transmitter and pendant hand control are accessories.

The exhaust hose reel is designed for indoor installations. However, since the metal components of the reel are protected against corrosion, the reel can be installed outdoors in protected areas.

Temperature range

- The reel is designed for ambient temperatures of -10°C to +50°C.
- Equipped with a hose NR-CP, the reel resists exhaust gas temperatures of +150°C continuously.
- Equipped with a hose NFC-3, the reel resists exhaust gas temperatures of +300°C under normal vehicle repair shop conditions.

Lifting capacity

- Load max. 30 kg (all hose diameters)

Weight

- Reel with hose and nozzle: 41–49 kg (depending on hose type, length, and diameter)
- Reel without hose: 31 kg

Installation

- On ceiling or wall
- Maximum mounting height is depending on weight of hose and nozzle to be lifted.

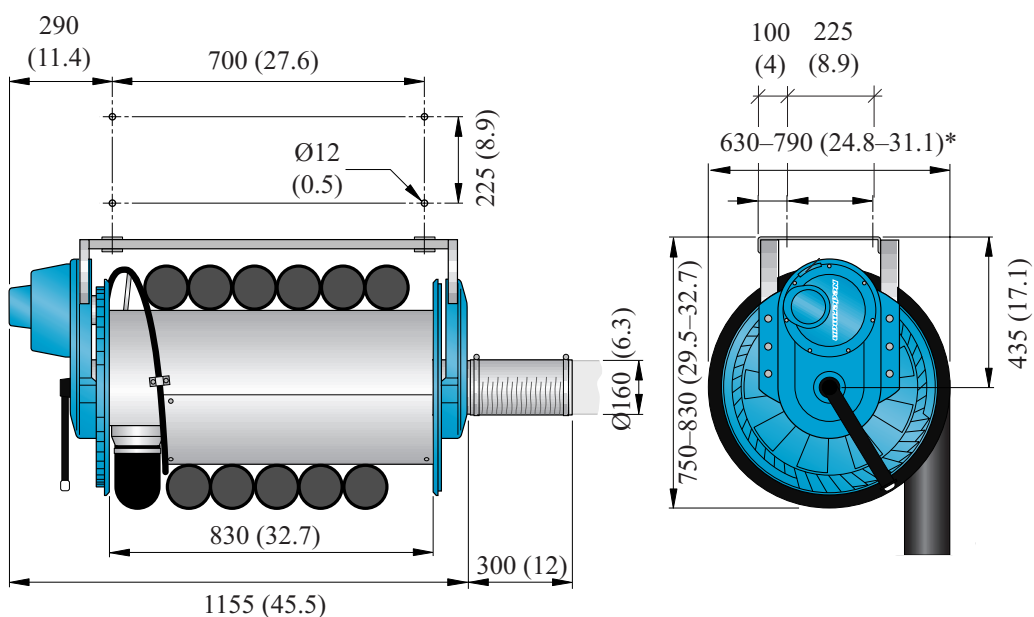
Maintenance

When exposed to normal wear, no maintenance on the reel is required. However, cleaning the exterior parts and checking the reel should be performed as outlined in owner's manual.

Colours

- Blue, RAL 5009
- Zinc-plated or aluzinc-plated (metal parts)

Dimensions, mm (")



* depending on hose diameter

Air flow

For exhaust extraction systems in vehicle repair shops where engines are running without load and with low rpm's, the following air flows can be used as guidelines: **Cars** = 400 m³/h (110 l/s; 250 cfm) **Trucks** = 1000 m³/h (280 l/s; 600 cfm)

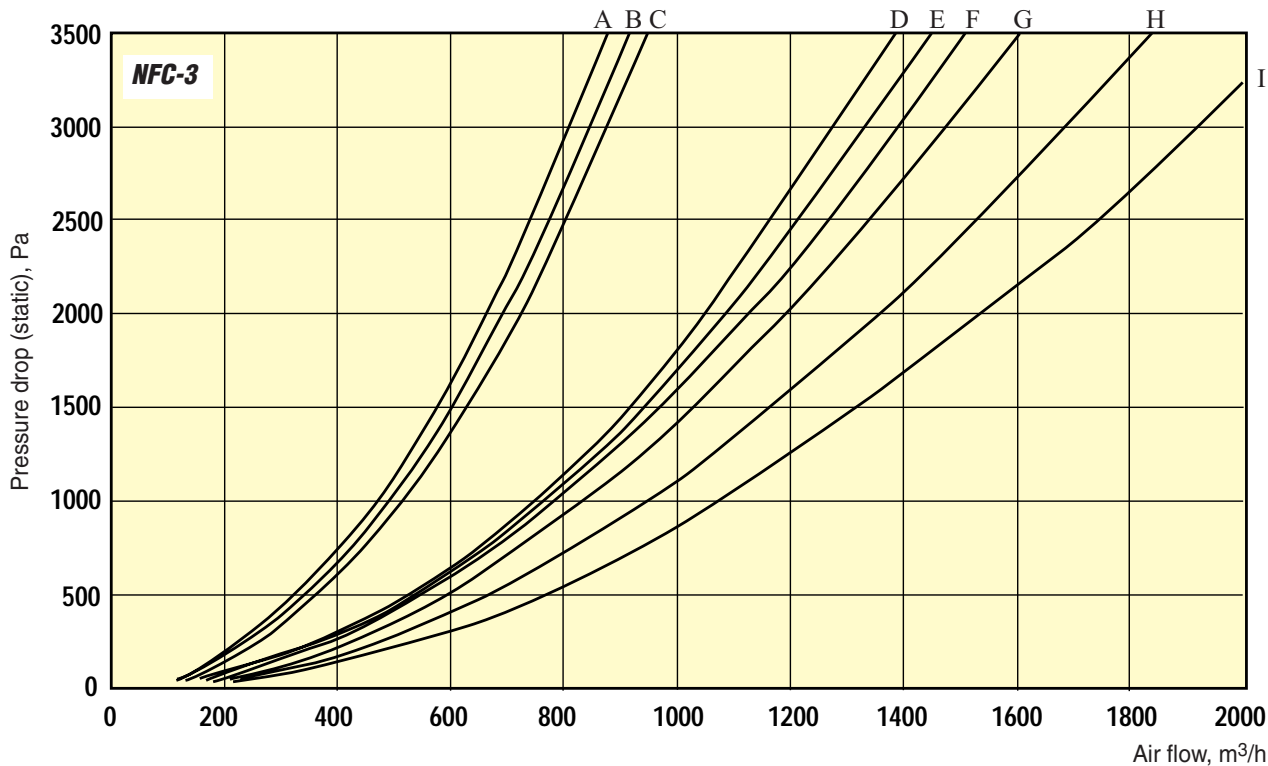
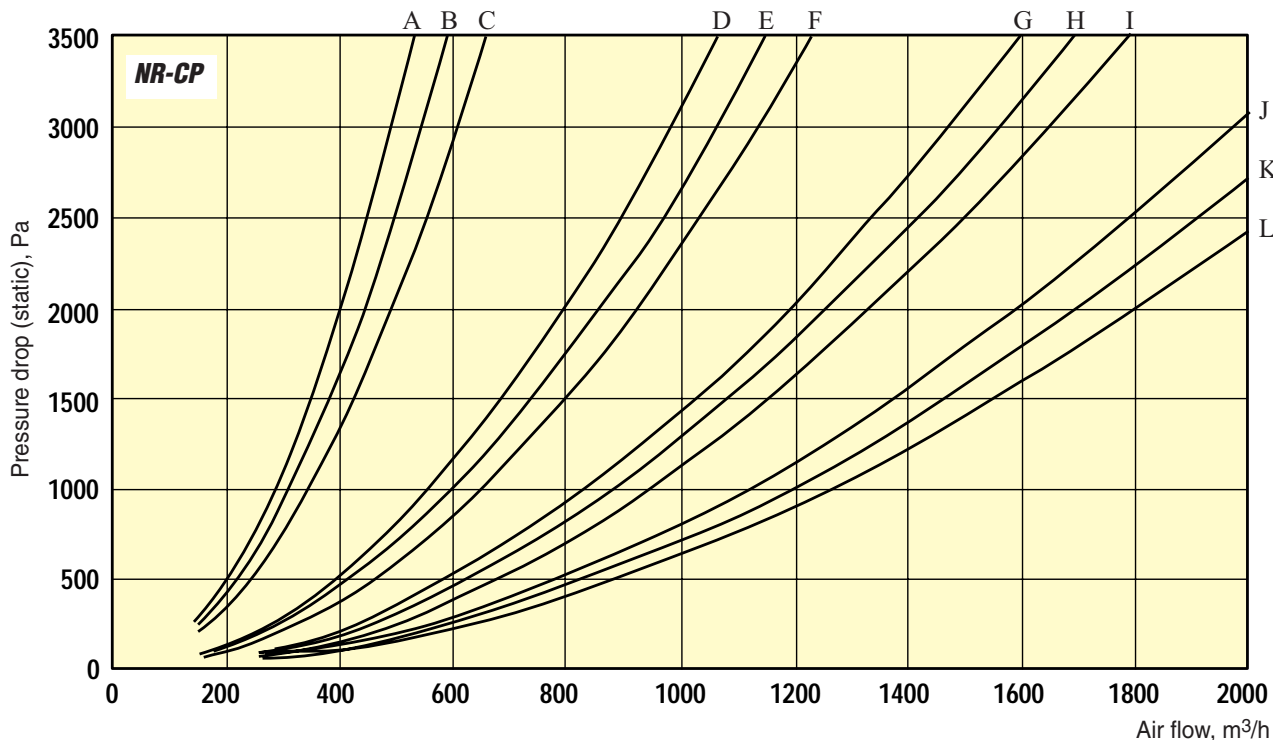
Pressure drop diagram (pressure drop over reel when most of the hose is uncoiled)

NR-CP

- A. 75 mm (3"), 10 m (33')
- B. 75 mm (3"), 7.5 m (25')
- C. 75 mm (3"), 5 m (16')
- D. 100 mm (4"), 10 m (33')
- E. 100 mm (4"), 7.5 m (25')
- F. 100 mm (4"), 5 m (16')
- G. 125 mm (5"), 10 m (33')
- H. 125 mm (5"), 7.5 m (25')
- I. 125 mm (5"), 5 m (16')
- J. 150 mm (6"), 10 m (33')
- K. 150 mm (6"), 7.5 m (25')
- L. 150 mm (6"), 5 m (16')

NFC-3

- A. 100 mm (4"), 10 m (33')
- B. 100 mm (4"), 7.5 m (25')
- C. 100 mm (4"), 5 m (16')
- D. 125 mm (5"), 10 m (33')
- E. 125 mm (5"), 7.5 m (25')
- F. 125 mm (5"), 5 m (16')
- G. 150 mm (6"), 10 m (33')
- H. 150 mm (6"), 7.5 m (25')
- I. 150 mm (6"), 5 m (16')



Electric drive unit

- Voltage: 100, 115, 200 and 230/240V
- Phase: 1-phase
- Supply power: 325 VA
- Frequency: 50/60 Hz
- Degree of protection: IP44

- Drive motor: 24V DC. Normal load 150–200W.
Max. load 240W.
Overload 300W.

- Terminals for fans/dampers:
 - Relay contact output for fan/damper control (2A/250VAC).
(Potential free contact closes by signal to uncoil hose and opens by signal to coil hose).
 - Voltage output relay for 24V DC fan contactor coil. Max. load 5 VA.
(Contact opens and closes as above).

- Electronic adjustable limit switches for coiled and uncoiled hose.(Puls counter).
(Adjusts from the floor by IR-transmitter or pendant control).

- Reel operated by remote (IR) control or by pendant control.
Remote control and pendant control are accessories.

- Remote control by IR.
 - Number of codes for individual operation of reel: 8
 - Operation range: min. 10 m
 - IR signal wave length: 950 nm
 - IR signal carrier frequency: 38 kHz
 - IR transmitter spread angle at 50% intensity $\pm 22^\circ$
 - IR-transmitter battery: 2 x 1.5V AA battery
Battery life, normal use: 1 year

- Electromagnetic brake stops the drum from turning.

- Drive unit, gear:
 - Planetary gear and sprocket gear in drum end, ratio 174:1.

Environmental data

For exhaust hose reel without hose.

Weight: 30 kg

Recyclable weight-%: 100

Hose types

• **NR-CP**

Rubber hose, crush-resistant, light weight, good flow characteristics, and high resistance to mechanical stress.

Made of EPDM coated polyester fabric with polyester helix.

Colour: black with blue helix.

Temperature range: (-40°C) to +150°C

• **NFC-3**

High temperature hose, flexible, high resistance to mechanical stress and to chemicals. Not crush-resistant.

Made of high temperature fabric (Kevlar) and special coating. Includes external, galvanized steel helix, covered with plastic wear strip.

Colour: gray green fabric and blue helix.

Temperature range: -60°C – +300°C

Model range

Wide body, NR-CP hose

100-240V, 1 phase, 50/60 Hz

Part no.	Hose Ø	Hose length
20802965	100 mm (4")	7.5 m (25')
20803165	100 mm (4")	10 m (33')
20803365	125 mm (5")	7.5 m (25')
20803565	125 mm (5")	10 m (33')
20803765	150 mm (6")	7.5 m (25')
20803965	150 mm (6")	10 m (33')

Wide body, NFC-3 hose

100-240V, 1 phase, 50/60 Hz

Part no.	Hose Ø	Hose length
20803065	100 mm (4")	7.5 m (25')
20803265	100 mm (4")	10 m (33')
20803465	125 mm (5")	7.5 m (25')
20803665	125 mm (5")	10 m (33')
20803865	150 mm (6")	7.5 m (25')
20804065	150 mm (6")	10 m (33')

Motor driven, wide body, without hose

100-240V, 1 phase, 50/60 Hz

Part no.	For hose Ø
20802665	100 mm (4")
20802765	125 mm (5")
20802865	150 mm (6")

Accessories

Pendant control

Part no. 20373521

IR-transmitter

Part no. 20373522

Fan bracket

For mounting of fan on reel.

Part no. 20373556

Extension hose

See separate product sheet.

(When choosing extension hose, the reel coiling capacity and coiling/ lifting capacity must be considered!)

Hose reducer

Used when a smaller extension hose is to be connected to the reel hose.

Part no. 20342483	Hose reducer 100 – 75 mm (4” – 3”)
20344354	Hose reducer 125 – 100 mm (5” – 4”)
20344353	Hose reducer 150 – 125 mm (6” – 5”)

Nozzle

See separate product brochure.

Fans

See separate product brochure.

Motor damper

See separate product brochure.

Fan controls

See separate product brochure:

- Fan Starter
- Fan Starter Manual
- Fan Control
- Fan Contactor (see Motor Damper/Accessories)

Information provided in this brochure is subject to change without notice.

Nederman[®]
Improving your workspace

Rights reserved for modification of design and measurements.

Manufacturer:

AB Ph. Nederman & Co

Sydhamnsgatan 2

SE-252 28 Helsingborg, Sweden

www.nederman.com

Tel.: Int. +46 42 18 87 00

Fax: Int. +46 42 14 79 71

E-mail: support@nederman.se

Certificated to ISO 9001 and ISO 14001

*The majority of Nederman's products are manufactured within
ISO 9001 and ISO 14001-certified Quality- and Environmental system.
For more detailed information please contact us.*