

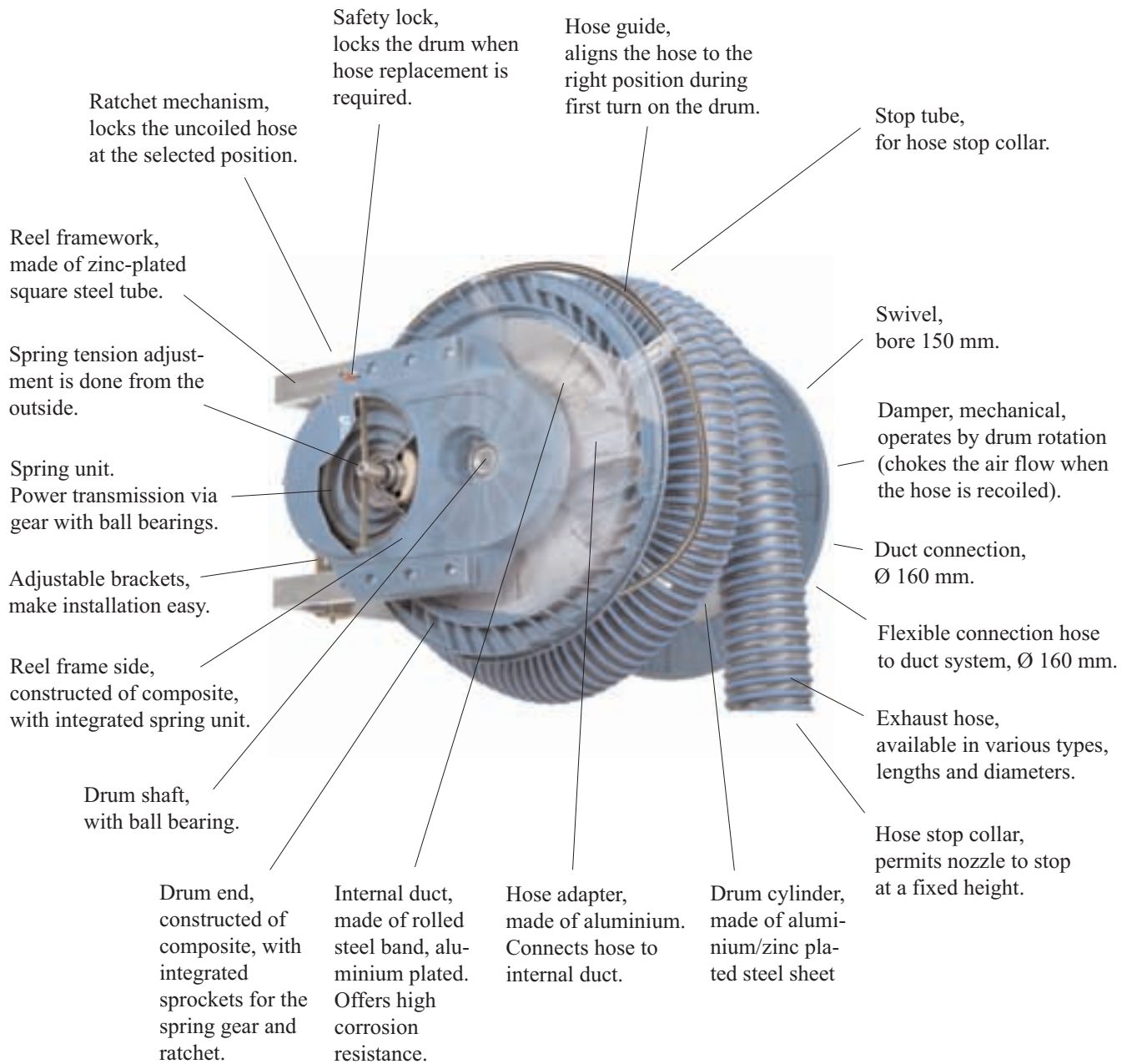
# **TECHNICAL DESCRIPTION**

## **Exhaust Hose Reel ser. 865, spring recoil**

---



## Description



Spring gear and ball bearings provide maximum spring power and low internal friction. This results in low uncoiling forces and reliable coiling of the hose.

The exhaust hose reel is designed for indoor installations. However, since the metal components of the reel are protected against corrosion, the reel can be installed outdoors in protected areas.

## Temperature range

- The reel is designed for ambient temperatures of -10°C to +50°C.
- Equipped with a hose NR-CP or NR-B, the reel resists exhaust gas temperatures of +150°C continuously.
- Equipped with a hose NFC-3, the reel resists exhaust gas temperatures of +300°C under normal vehicle repair shop conditions.

## Weight

- Short reel without hose: 23 kg
- Short reel with hose and nozzle: 31–38 kg (depending on hose type, length, and diameter)
- Wide reel without hose: 31 kg
- Wide reel with hose and nozzle: 41–49 kg (depending on hose type, length, and diameter)

## Installation

- On ceiling or wall
- Maximum mounting height is 6 m

## Maintenance

When exposed to normal wear, no maintenance on the reel is required. However, cleaning the exterior parts and checking the reel should be performed as outlined in owner's manual.

## Colours

- Blue, RAL 5009
- Zinc-plated or aluzinc-plated (metal parts)

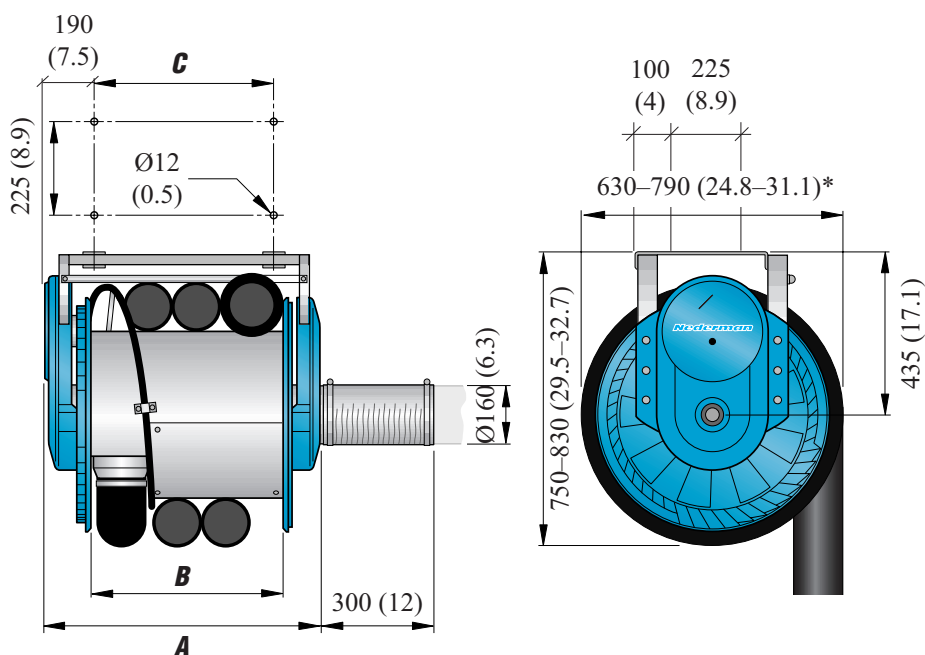
## Dimensions, mm (")

### Short drum

A= 725 (28.5)  
 B= 500 (19.7)  
 C= 370 (14.6)

### Wide drum

A= 1055 (41.5)  
 B= 830 (32.7)  
 C= 700 (27.6)



\* depending on hose diameter

## Air flow

For exhaust extraction systems in vehicle repair shops where engines are running without load and with low rpm's, the following air flows can be used as guidelines: **Cars** = 400 m<sup>3</sup>/h (110 l/s; 250 cfm) **Trucks** = 1000 m<sup>3</sup>/h (280 l/s; 600 cfm)

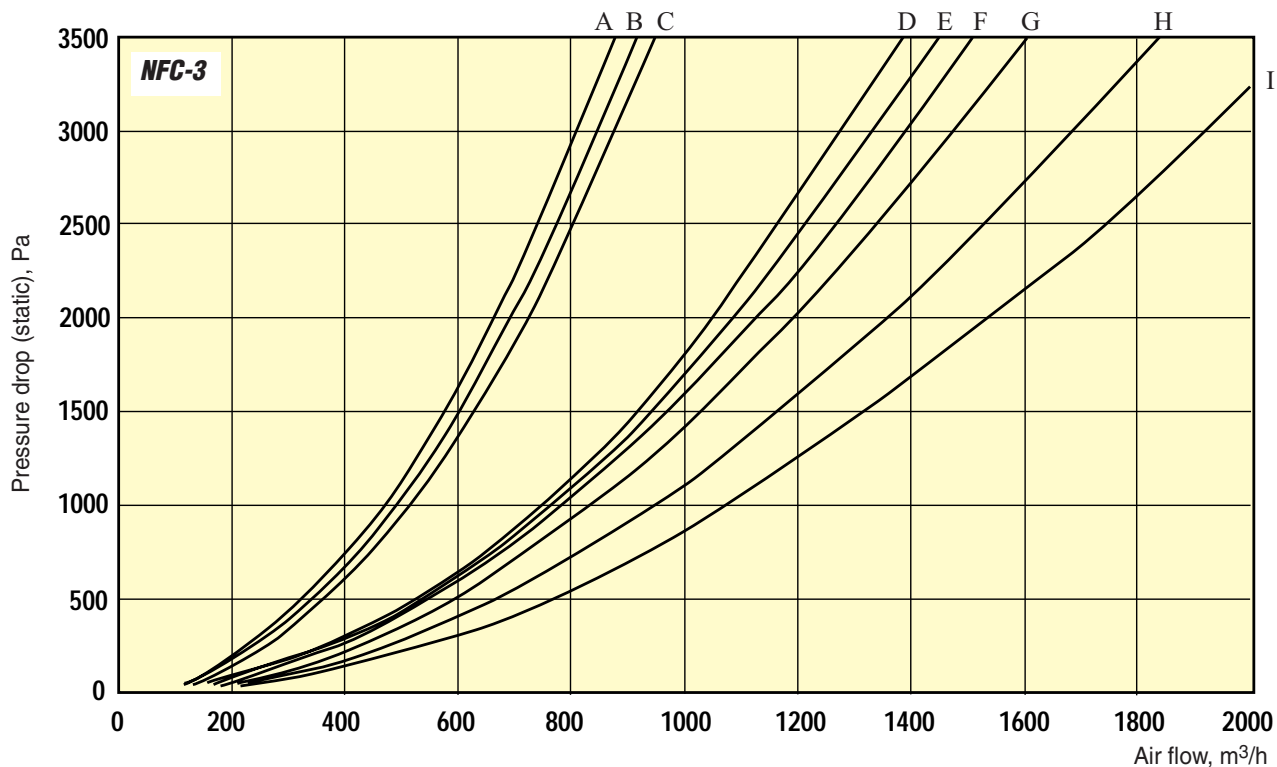
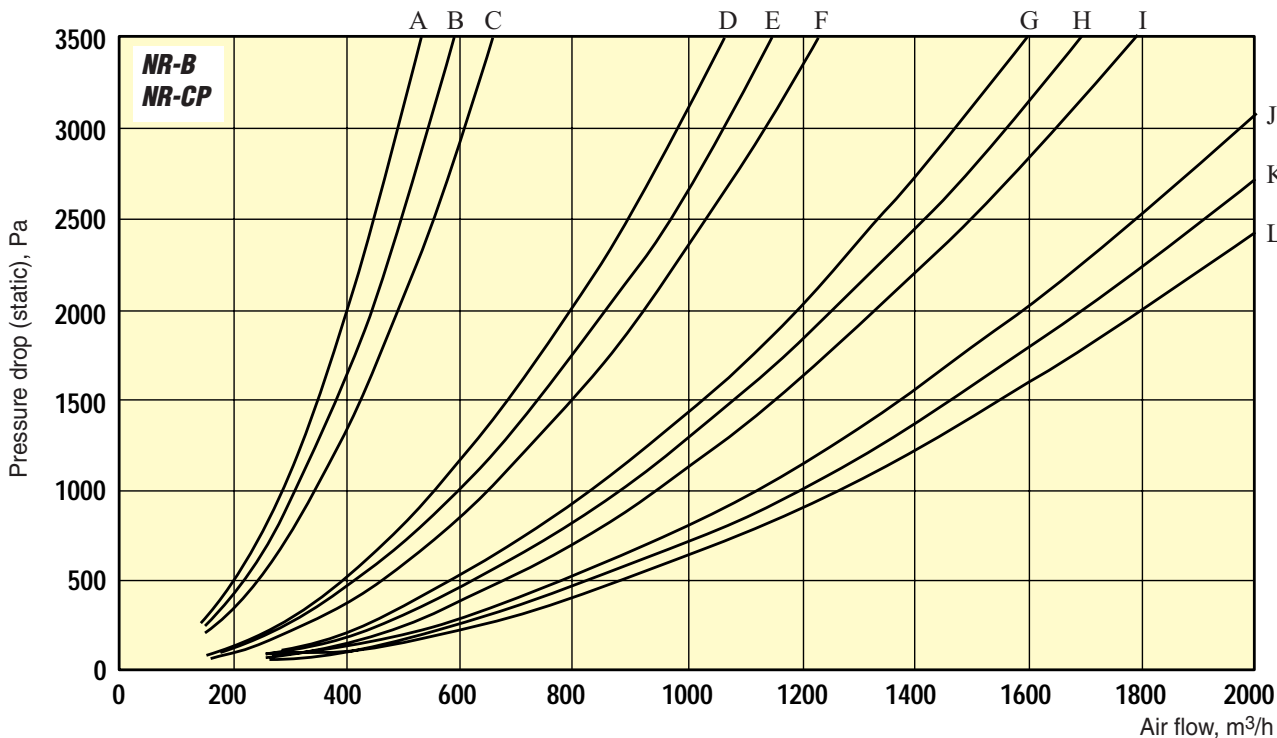
## Pressure drop diagram (pressure drop over reel when most of the hose is uncoiled)

### NR-B, NR-CP

- A. 75 mm (3"), 10 m (33')
- B. 75 mm (3"), 7.5 m (25')
- C. 75 mm (3"), 5 m (16')
- D. 100 mm (4"), 10 m (33')
- E. 100 mm (4"), 7.5 m (25')
- F. 100 mm (4"), 5 m (16')
- G. 125 mm (5"), 10 m (33')
- H. 125 mm (5"), 7.5 m (25')
- I. 125 mm (5"), 5 m (16')
- J. 150 mm (6"), 10 m (33')
- K. 150 mm (6"), 7.5 m (25')
- L. 150 mm (6"), 5 m (16')

### NFC-3

- A. 100 mm (4"), 10 m (33')
- B. 100 mm (4"), 7.5 m (25')
- C. 100 mm (4"), 5 m (16')
- D. 125 mm (5"), 10 m (33')
- E. 125 mm (5"), 7.5 m (25')
- F. 125 mm (5"), 5 m (16')
- G. 150 mm (6"), 10 m (33')
- H. 150 mm (6"), 7.5 m (25')
- I. 150 mm (6"), 5 m (16')



## Environmental data

For exhaust hose reel without hose.

<b>Model</b>	<b>Weight, kg</b>	<b>Recyclable weight-%</b>
Standard, short body	23	100
Standard, wide body	31	100
Basic, short body	22	100
Basic, wide body	30	100

## Hose types

### **NR-CP**

Rubber hose, crush-resistant, light weight, good flow characteristics, and high resistance to mechanical stress.

Made of EPDM coated polyester fabric with polyester helix.

Colour: black with blue helix.

Temperature range: (-40°C) to +150°C

### **NR-B**

Rubber hose, light weight, and high resistance to mechanical stress. Not crush-resistant.

Made of EPDM coated polyester fabric with steel helix.

Colour: black with blue helix.

Temperature range: -40°C to +150°C

### **NFC-3**

High temperature hose, flexible, high resistance to mechanical stress and to chemicals. Not crush-resistant.

Made of high temperature fabric (Kevlar) and special coating. Includes external, galvanized steel helix, covered with plastic wear strip.

Colour: gray green fabric and blue helix.

Temperature range: -60°C – +300°C

## Model range

### **Standard, short drum**

Reel with short drum, NR-CP hose, and damper.

<b>Part no.</b>	<b>Hose Ø</b>	<b>Hose length</b>
20800965	75 mm (3")	–
20801465	75 mm (3")	5 m (16')
20800765	100 mm (4")	–
20801365	100 mm (4")	5 m (16')
20801265	100 mm (4")	7.5 m (25')
20800565	125 mm (5")	–
20801165	125 mm (5")	5 m (16')
20804165	150 mm (6")	–
20801065	150 mm (6")	5 m (16')

### **Standard, wide drum**

Reel with wide drum, NR-CP hose, and damper.

<b>Part no.</b>	<b>Hose Ø</b>	<b>Hose length</b>
20800365	100 mm (4")	–
20801965	100 mm (4")	10 m (33')
20800165	125 mm (5")	–
20802065	125 mm (5")	7.5 m (25')
20802165	125 mm (5")	10 m (33')
20804265	150 mm (6")	–
20802265	150 mm (6")	7.5 m (25')
20802365	150 mm (6")	10 m (33')

### **Basic, short drum**

Reel with short drum and NR-B hose. Without damper.

<b>Part no.</b>	<b>Hose Ø</b>	<b>Hose length</b>
20800865	75 mm (3")	5 m (16')
20800665	100 mm (4")	5 m (16')
20801565	100 mm (4")	7.5 m (25')
20800465	125 mm (5")	5 m (16')
20800265	150 mm (6")	5 m (16')

### **Basic, wide drum**

Reel with wide drum and NR-B hose. Without damper.

<b>Part no.</b>	<b>Hose Ø</b>	<b>Hose length</b>
20801865	100 mm (4")	10 m (33')
20801765	125 mm (5")	7.5 m (25')
20801665	125 mm (5")	10 m (33')
20802565	150 mm (6")	7.5 m (25')
20802465	150 mm (6")	10 m (33')

### **Reel without hose.**

Combine this reel with a high temperature hose, for special applications (see "Hose types" on page 5).

## Accessories

### ***On/off switch***

Starts/stops the fan when the hose uncoils/coils.

Part no. 20373557

### ***Fan bracket***

For mounting of fan on reel.

Part no. 20373556

### ***Extension hose***

See separate product sheet.

(When choosing extension hose, the reel coiling capacity and coiling/ lifting capacity must be considered!)

### ***Hose reducer***

Used when a smaller extension hose is to be connected to the reel hose.

Part no. 20342483	Hose reducer 100 – 75 mm (4" – 3")
20344354	Hose reducer 125 – 100 mm (5" – 4")
20344353	Hose reducer 150 – 125 mm (6" – 5")

### ***Nozzle***

See separate product brochure.

### ***Fans***

See separate product brochure.

### ***Motor damper***

For basic reels. See separate product brochure.

### ***Fan controls***

See separate product brochure:

- Fan Starter
- Fan Control
- Fan Contactor

### ***Transformer for Fan controls***

Part no. 10361560	230/24V, 75VA, 50Hz
10363189	230/24V, 25VA, 50Hz

Information provided in this brochure is subject to change without notice.

---

***Nederman***<sup>®</sup>  
*Improving your workspace*

*Rights reserved for modification of design and measurements.*

Manufacturer:

**AB Ph. Nederman & Co**

Sydhamnsgatan 2

SE-252 28 Helsingborg, Sweden

[www.nederman.com](http://www.nederman.com)

Tel.: Int. +46 42 18 87 00

Fax: Int. +46 42 14 79 71

E-mail: [support@nederman.se](mailto:support@nederman.se)

*Certificated to ISO 9001 and ISO 14001*

*The majority of Nederman's products are manufactured within  
ISO 9001 and ISO 14001-certified Quality- and Environmental system.  
For more detailed information please contact us.*