

# E-PAK UNITS



Compact high vacuum units  
The ideal solution for removing dust and fumes

High Vacuum Systems

# E-PAK units - small footprint, big performance

**The compact E-PAK for multi-purpose use.** The ideal solution for the extraction of sanding and grinding dust and for welding fumes. Also suitable for cleaning of the work place and the shop floor. Three models are available and the most powerful unit can serve up to six extraction points, in use at the same time.

**Typical areas of application** can be found in welding shops, car body shops, construction industries, bakeries, industrial laundries and in industries trimming composites.

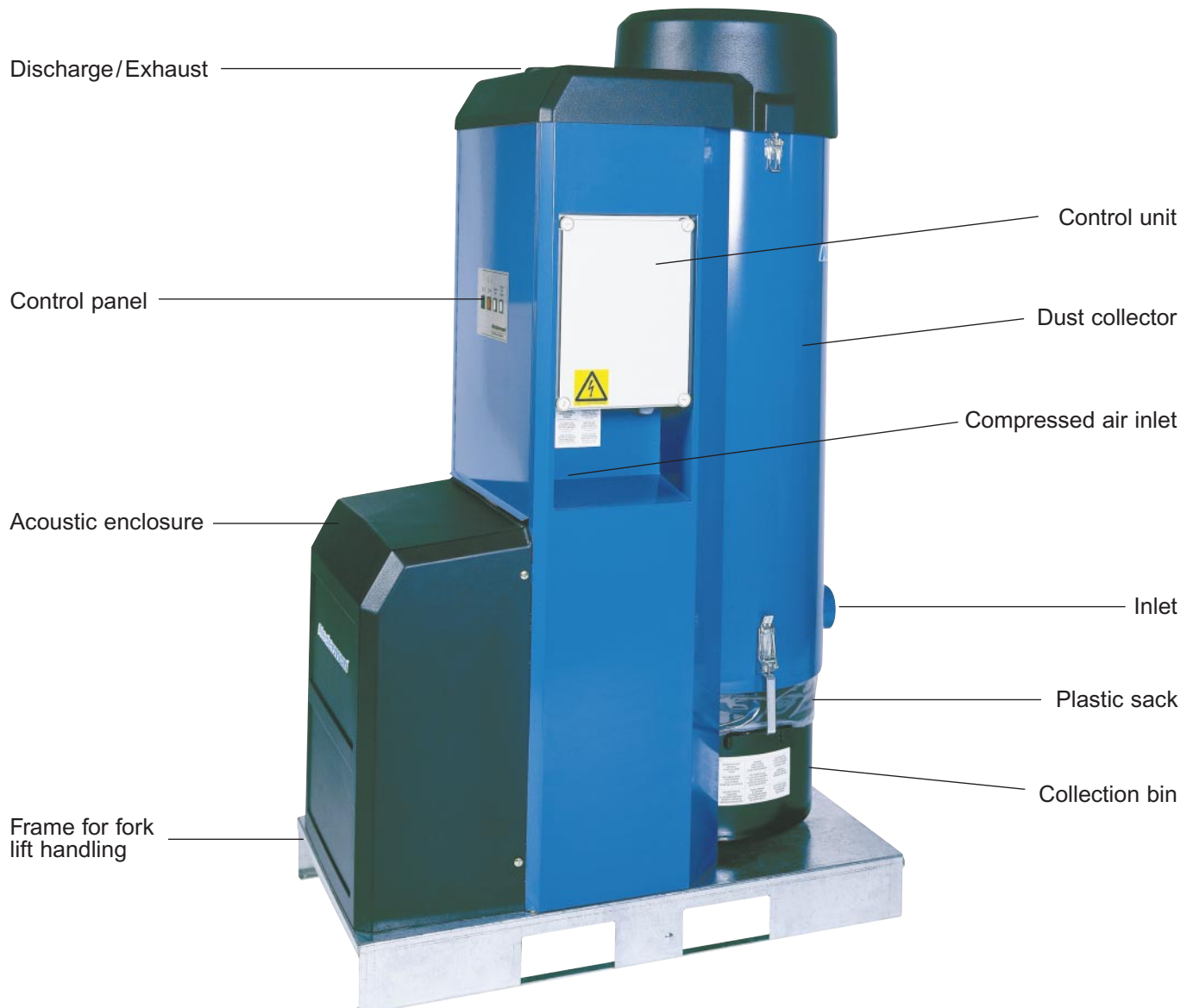
**Power control** can be obtained by fitting an automatic vacuum valve to each extraction point. The valve provides suction power when an operation starts. When the work stops and all valves have closed again, the E-PAK unit stops.

**Low operating costs.** Automatic vacuum valves offer substantial energy savings and make a small unit manage the job otherwise requiring a large unit. Using automatic valves multiplies the number of working points that can be served, by three or four times.

**Low noise level** is an obvious demand on today's working environment. E-PAK is developed to fit into normally noise sensitive premises thanks to efficient silencers and acoustic enclosure. The enclosure is easily removed for service.

**Complete and ready to use** We can deliver complete installations but if you prefer to install your own E-PAK system, this is very easy to do.

We can also offer accessories like cleaning equipment, vacuum valves, swing arms, welding guns and grinding tools with fume and dust extraction.



## E-PAK units for multi purpose use



On-tool extraction of sanding dust



On-tool trimming composites



On-torch welding fume extraction



Cleaning in a bakery



Work floor cleaning

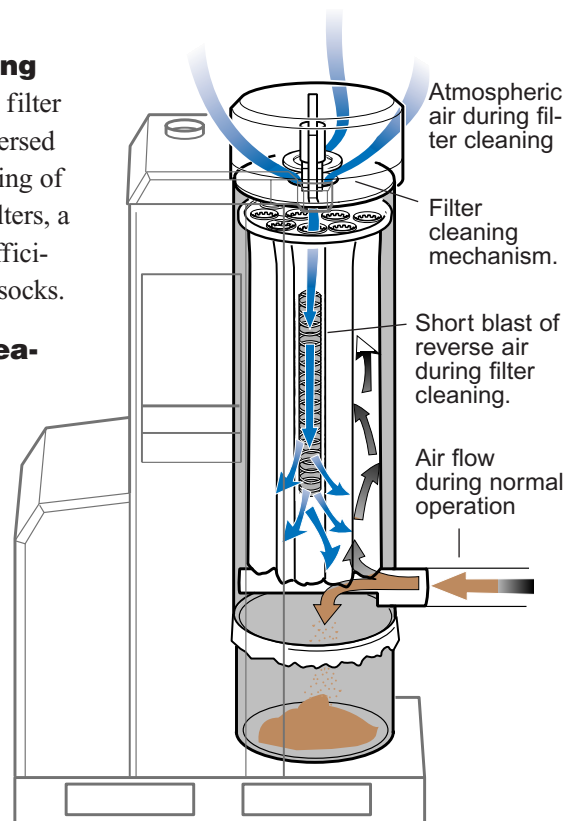
### Unique and economic filter concept

The filter concept in E-PAK is unique as it combines high filter efficiency with long life time.

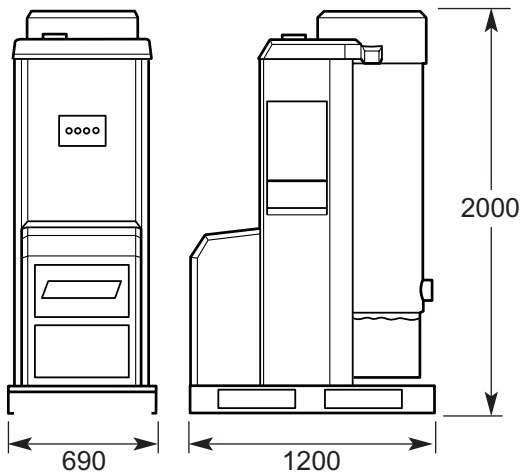
**Filtration in two stages gives extremely long filter life.** This is the concept: The cyclone inlet has been replaced by a dynamic reducer, separating coarse particles. Fine particles are separated on coated polyester filter socks. The coating prevents small particles from penetrating into the polyester. This means easily cleaned filters with a long life time. Dust separation according to BIA category U, S, G, C.

**Automatic filter cleaning as standard.** E-PAK uses filter cleaning by a short blast of reversed atmospheric air. By rapid opening of a valve located on top of the filters, a powerful air pulse is created, efficiently dislodging dust from the socks.

**Reversed Flow (RF) cleaning as an option.** Here, the full flow of the vacuum source is used, in addition to the above air pulse to clean half the filters at a time. Type RF filter cleaning is efficient for systems in hard continuous use and for dusts that are difficult in terms of filter cleaning.



## Technical data E-PAK units

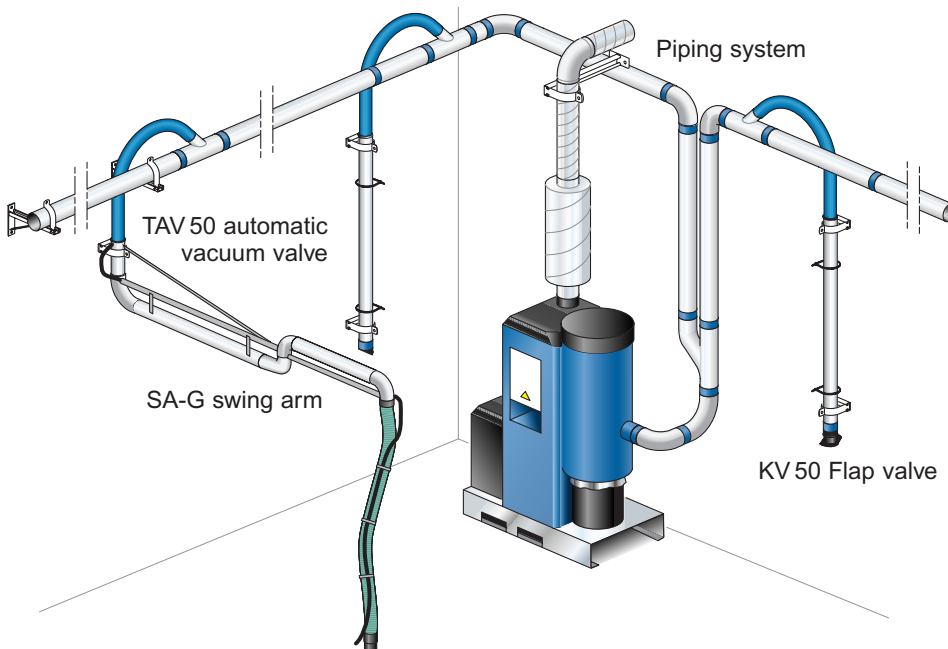


Model		E-PAK 150	E-PAK 300	E-PAK 500
Power	kW	3	5,5	13
Capacity free blowing	m <sup>3</sup> /h	270	450	860
Capacity at -15 kPa	m <sup>3</sup> /h	110	290	500
Maximum vacuum	kPa	-25	-25	-25
Filter surface	m <sup>2</sup>	3	3	3
Filter life	h	4000-6000	4000-6000	4000-6000
Noise level ISO*	dB(A)	63	64	67
Weight	kg	194	235	333

Filtration according to BIA category U, S, G, C.

\* at 1 m

## Valves and swing arms complete your E-PAK system



### Automatic vacuum valves admit 3-4 times more users.

E-PAK is part of a system that can include automatic vacuum valves, flap valves and swing arms.

Automatic vacuum valves offer substantial benefits in most installations.

The valve opens automatically when extraction is required and closes again when there is no extraction need. No suction capacity is wasted on tools or welding guns that are not in operation.

Time studies show that a tool (sanding, grinding, cutting) or a torch seldom is in use more than 25-30 % of the working time.

The valves save energy, reduce suction noise and ensure the suction power is available where and when it is needed. If no valve is open, your E-PAK stops.

The swing arm offers maximum convenience when working with on-tool or on-torch extraction. The design ensures that the arm smoothly follows the hand tool.

### Environmental information

- Low power consumption with automatic start/stop.
- Solvent-free washing and lacquering.
- Halogen-free (PVC-free) cables.
- Recyclable up to 91-95% (weight) depending on type.

### Accessories

- Discharge air silencer Ø 100 mm
- Maintenance switch
- Plastic sack 70 litre (25 pcs pack)
- Service hour meter
- Week timer
- Compressed air switch

**Nederman**<sup>®</sup>  
Improving your workspace

Rights reserved for modification of design and measurements.

Manufacturer:

**TEDAK AB**

Svista

SE-635 02 Eskilstuna, Sweden

a Nederman company

www.tedak.com

Tel: Int +46 16-16 07 00

Fax: Int +46 16-14 26 27

