

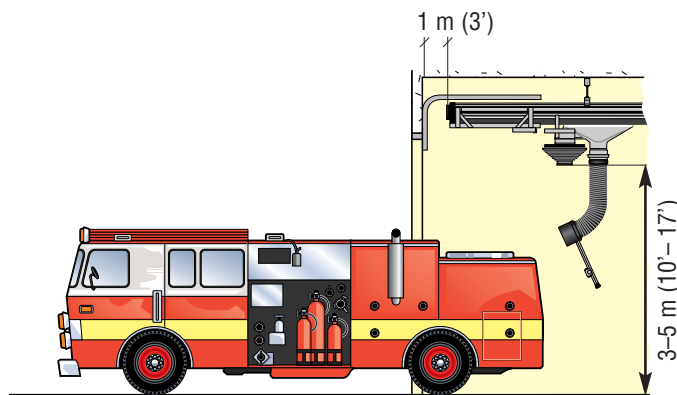
# TECHNICAL DESCRIPTION **MAGNA Rail<sup>®</sup> HL**

- Extraction of exhaust fumes from emergency vehicles
- Drive-through applications • Tandem situations • Coverage from door to door
- High frequency turn-outs • High exit speed • High level tail-pipes

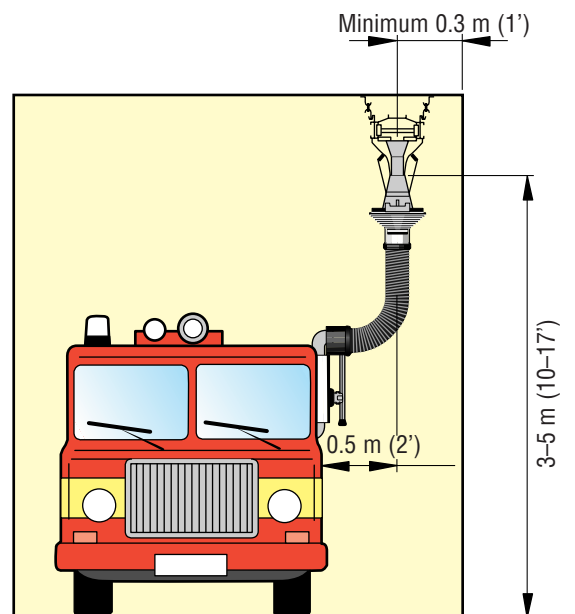
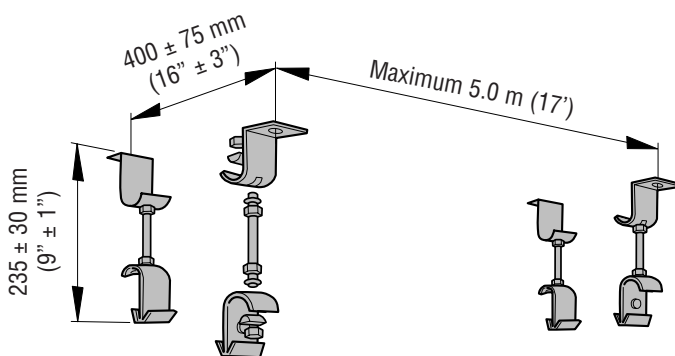
## Description

Length of track:	5–30 m (17'–99')	Trolley:	Cast aluminium , 4 wheels
Length of use:	0–30 m (0–99')	Disconnection:	Disconnection box
User speed:	25 km/h (15.5 mph)	Power supply:	230VAC or 115VAC, 1-phase/ 24VAC, incl. transformer
Rail material:	Aluminium	Power cons.:	10VA
Hose type:	Hypalon/Trevira fabric, compressible 1:5	Weight, trolley + rail:	30 kg + 8 kg/m
Hose diameter:	160 mm (6") / 130 mm (5")		
Hose length:	2.0 m (7')		
Heat resistance:	175°C (347°F)		

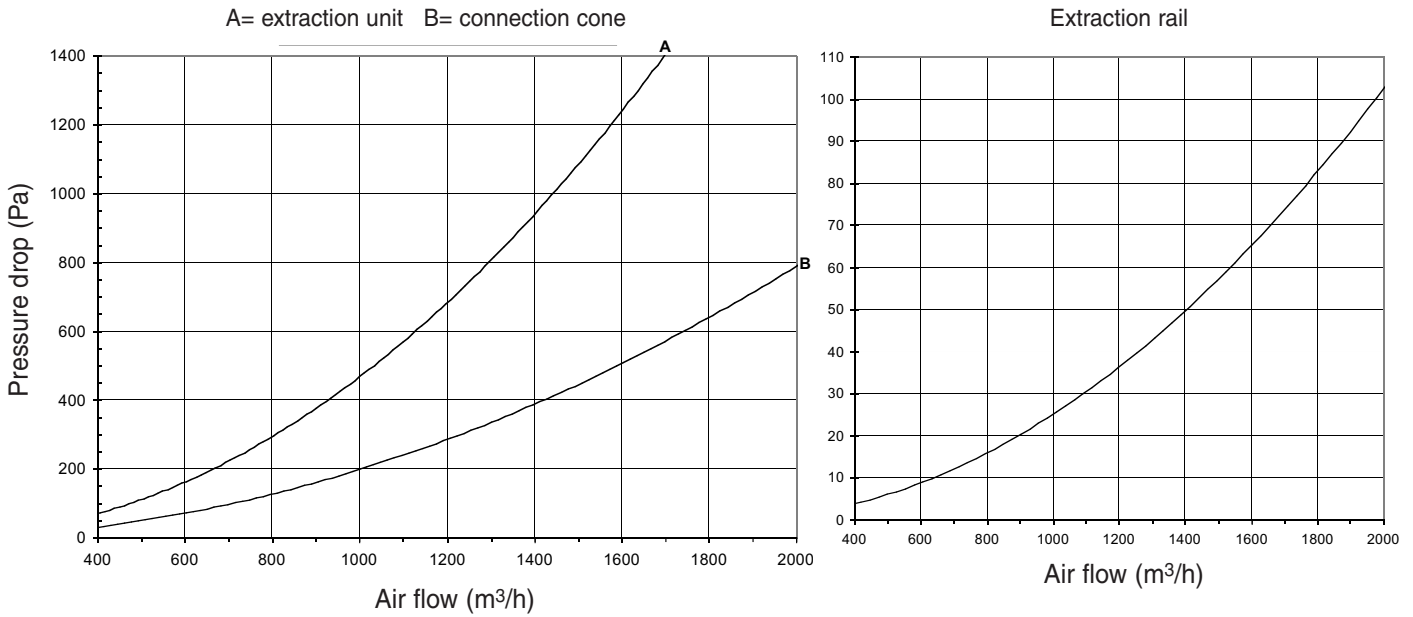
## Mounting



Mounting height:	3–5 m (10–17')
Mounting force, vertical:	5000 N
Mounting force, horizontal:	5000 N
Distance between suspension brackets:	5.0 m (17')



## Pressure drop - MAGNA RAIL® HL



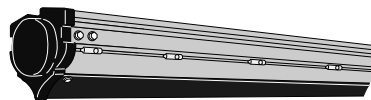
Air flow recommendation: 800–1200 m<sup>3</sup>/h (470–706 CFM)

## Part numbers

### Horizontal unit

[rail in 12 lengths, 2.5 m (8') to 30.0 m (99'), complete with transformer and suspension parts]

20806764	2.5 m (8')
20805664	5.0 m (17')
20805764	7.5 m (25')
20805864	10.0 m (33')
20805964	12.5 m (41')
20806064	15.0 m (50')
20806164	17.5 m (57')
20806264	20.0 m (66')
20806364	22.5 m (74')
20806464	25.0 m (82')
20806564	27.5 m (90')
20806664	30.0 m (99')



### Vertical unit

(complete with trolley, balancer, disconnection box, hose, electromagnetic unit and nozzle)

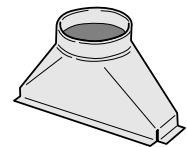
- 20802064 **One extraction unit** for one vehicle.  
Length 2 m (6.6'), hose Ø160 mm (6")
- 20802564 **Two extraction units** for two vehicles in the same bay.  
Length 2 m (6.6'), hose Ø160 mm (6")



### Connection cone

- 20321436 For connecting rail to fan.  
Made of aluminium.  
Connection Ø160 mm (6")

Recommendation: one cone for each vertical unit



**Nederman**<sup>®</sup>  
Improving your workspace

Rights reserved for modification of design and measurements.

Manufacturer:  
**AB Ph. Nederman & Co**  
Sydhamngatan 2  
SE-252 28 Helsingborg, Sweden  
www.nederman.com

Tel.: Int. +46 42 18 87 00  
Fax: Int. +46 42 14 79 71  
E-mail: support@nederman.se  
Certificated to ISO 9001 and ISO 14001

The majority of Nederman's products are manufactured within ISO 9001 and ISO 14001-certified Quality- and Environmental system. For more detailed information please contact us.